

PRAB TRAMP METAL SEPARATOR

PROTECT PROCESSING EQUIPMENT FROM DAMAGE

5 Unique Designs to Remove Solids from Chip Flow- Saving on Costly Repairs

PRAB Tramp Metal Separators serve as a key component in any chip processing system. These separators remove bar-ends, broken tooling and other solids from chip flow, to protect scrap metal equipment from damage. PRAB's full-line of tramp metal separators include five unique models that are engineered to perform at different levels, to efficiently handle the variety of metal chips and turnings produced by today's high-speed metalworking industry.



"The reason we purchased PRAB's equipment is because it can keep up with production, it is fully automatic, clean, and very user friendly. I used to work in a shop that had PRAB equipment and it ran 24/7, with very little maintenance. When it came time to look at scrap handling systems, I wanted to go with what I felt was the best."

– Gary Sroufe, C&A Tool's multi-spindle "go-to guy"

PRAB Model "O" Heavy-Duty Oscillator/Air-Classifier Separator



Occasional Solids



Model R rotary air lock/air-classifier separator performs best with flowable wet chips and is used to feed a PRAB Wringer.



Model S separators screen small chips while redirecting tramp solids.



Model V separator features a vibration deck and blower combination for medium/high volume systems.



Model G air-classifier/separator may feed crushers, wringers, or briquetters (as shown).



Model O Oscillator/air-classifier separator. Shown with expanded capacity separation blower and recirculating air/mist duct system.

Backed by the **PRAB Difference**



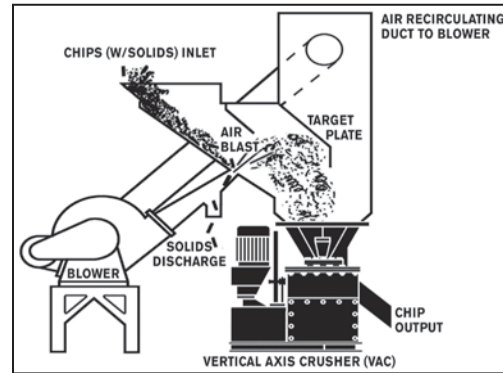
PRAB TRAMP METAL SEPARATOR

PROTECT PROCESSING EQUIPMENT FROM DAMAGE

Standard Metal Solids Separators

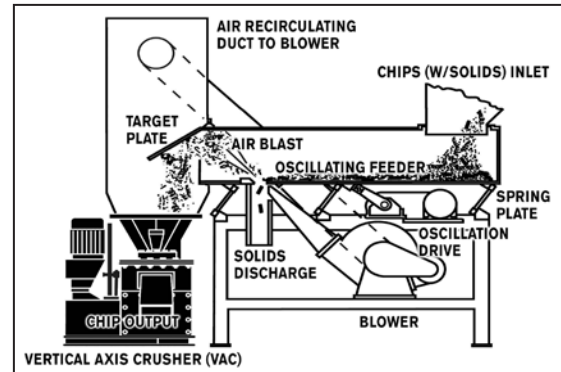
The **Model "G" Separator** (shown at right) is feeding a PRAB Vertical Axis Crusher (VAC II). This is a "moderate volume" separator which includes a self-contained ducted air recirculation system to minimize oil misting. Chips and turnings are typically dropped into the hopper inlet by an external conveyor.

Air Classifier- Model G



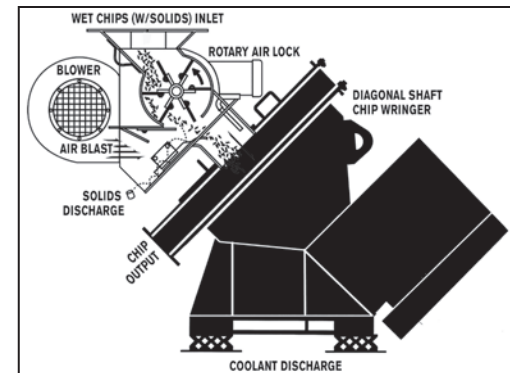
Designed for "higher volumes", including nested wads of scrap material, the **Model "O" Separator** (shown at right) includes an oscillating conveyor as a metering component. It is used to effectively spread the material across the width of the oscillating deck, prior to entering the air classifier section. It is shown feeding a PRAB Vertical Axis Crusher (VAC II) which reduces metal scrap into shovel grade chips. The separator also features a ducted air recirculation system to minimize oil mists.

Air Classifier- Model O



The **Model "R" Separator** is designed for use with flowable wet chips and is used in conjunction with a PRAB Diagonal Shaft Wringer, as shown in the illustration. Chips are fed into the inlet by an elevating conveyor. A rotary style air lock meters the chips into a continuous air blast where separation of the metal chips from heavier solids takes place.

Air Classifier- Model R



Note: These drawings indicate the general operation, size and configuration of the PRAB air classifier parts separators. The actual configuration, operating capacity and dimensions will reflect the type of materials being processed and other equipment required downstream in the system.



A true performance guarantee ensuring your PRAB equipment achieves the specific results it was designed and manufactured to deliver. And if you need technical support, call us. We are available 24/7.

Contact us to **request a quote** today
5801 East N Avenue, Kalamazoo, MI 49048
Phone: 1-800-968-7722 | Email: sales@prab.com | Website: prab.com

